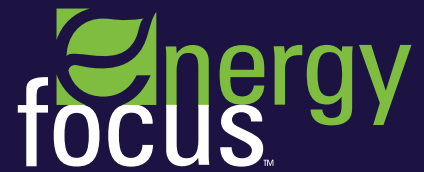


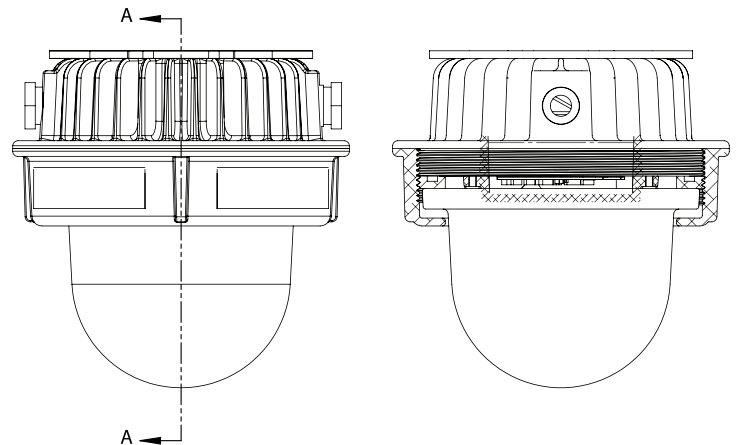
Explosionproof LED Globe

For Navy Standard Symbol Number 48.2 and 68.2



Product Specifications

CHASSIS	A356-T6 aluminum
LENS	Tempered Glass
WHITE	Symbol 48.2
RED	Symbol 68.2
FINISH	TGIC thermoplastic polyester powder coat white
WEIGHT	12 lbs 8 oz
INPUT VOLTAGE	115V nominal, 60Hz
LED DRIVER FIELD REPALCEABLE ..	Yes
LED ARRAY FIELD REPALCEABLE ..	Yes
WATTAGE (NOMINAL)	19W
LUMEN OUTPUT (WHITE)	1000
EFFICACY (WHITE)	52.6 lm/W
CRI (WHITE)	>80
CCT (WHITE)	4100K
DRIVER	Constant Current Electronic Driver MTBF 50,000 at 200°F (93°C)
LAMP LIFE	50,000 Hours at 70% Lumen Maintenance at 200°F (93°C)
OPERATING TEMP RANGE	-40°C to 93°C
MIL QUALIFICATION	Per MIL-DTL-16377J (SH)
ENCLOSURE TYPE	Explosionproof tested in accordance with MIL-DTL-16377/25 and UL 844



PART NUMBER	GLASS COLOR	NSN	SYMBOL	REPLACEMENT PART# LED Array	REPLACEMENT PART# LED Driver	REPLACEMENT PART# Globe Glass Assembly
EFO-X008-48.2-01	White	6210-01-652-8955	48.2	6210-01-652-8953	6130-01-652-8957	6210-01-652-8954
EFO-X008-68.2-01	Red	6210-01-652-8956	68.2	6210-01-652-8953	6130-01-652-8957	6210-01-652-8953