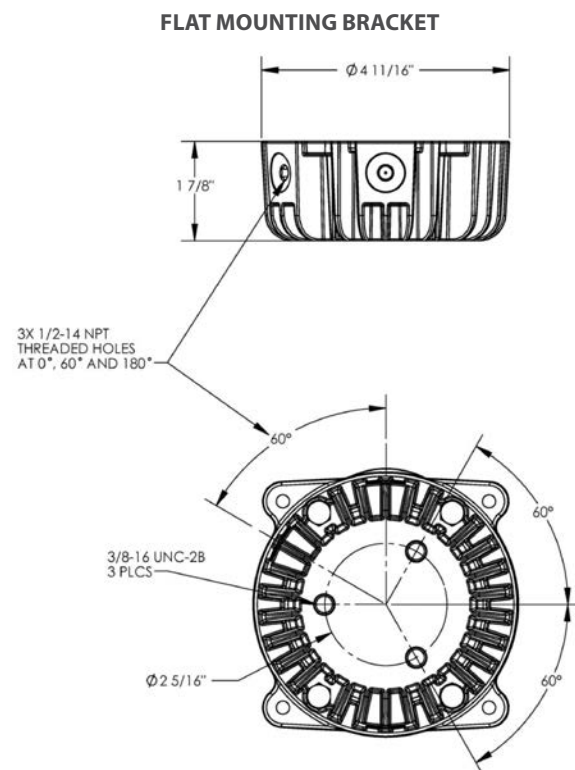
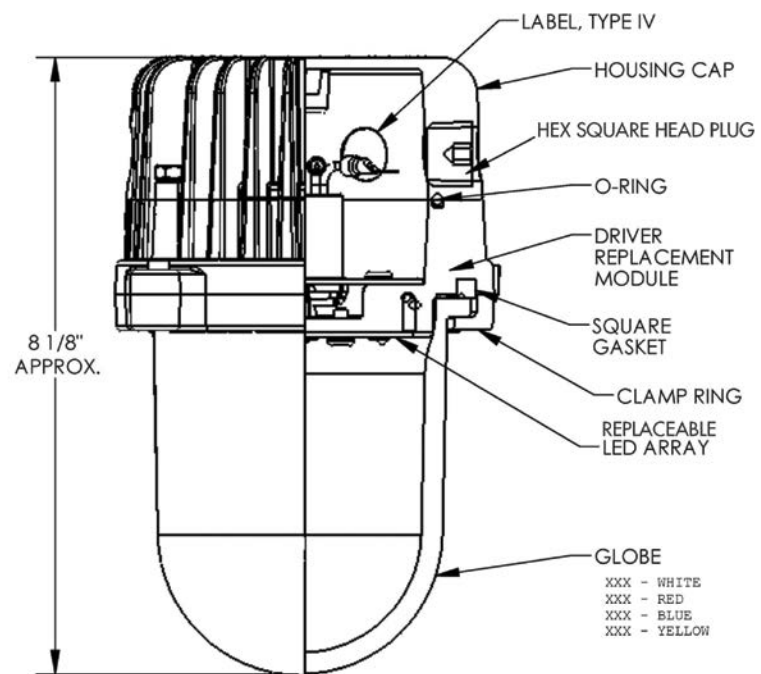


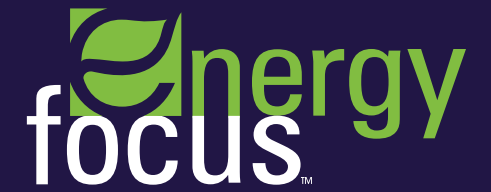
# Small LED Globe Fixture Reference Guide

EFO-X001 • Replaceable for the following part #'s, SYM #'s & NSN's:

SYM	DESCRIPTION	LED ARRAY	LED DRIVER	GLOBE GLASS
92.2-02	<b>WHITE</b> (clear transparent diffusing)	White	White	White
		<b>PART#</b> 43-15031-01	<b>PART#</b> 95-15854-01	<b>PART#</b> 06-15018-00
		<b>NSN#</b> 6210-01-605-0597	<b>NSN#</b> 6130-01-605-0595	<b>NSN#</b> 6210-00-702-5773
93.2-02	<b>RED</b> (transparent diffusing)	Red	Red	Red
		<b>PART#</b> 43-15031-02	<b>PART#</b> 95-15854-02	<b>PART#</b> 06-15018-01
		<b>NSN#</b> 6210-01-605-0588	<b>NSN#</b> 6230-01-605-0593	<b>NSN#</b> 6210-00-914-4152
93.4-02	<b>BLUE NVD</b> (transparent diffusing)	Blue	White	Blue
		<b>PART#</b> 43-15031-03	<b>PART#</b> 95-15854-01	<b>PART#</b> 06-15018-02
		<b>NSN#</b> 6210-01-605-0589	<b>NSN#</b> 6130-01-605-0595	<b>NSN#</b> 6210-01-604-8562
93.5-02	<b>YELLOW/AMBER</b> (transparent diffusing)	White	White	Yellow/Amber
		<b>PART#</b> 43-15031-01	<b>PART#</b> 95-15854-01	<b>PART#</b> 06-15018-03
		<b>NSN#</b> 6210-01-605-0597	<b>NSN#</b> 6130-01-605-0595	<b>NSN#</b> 6210-01-166-7187
EFO-04-15150-01	<b>GLOBE SECURING RING</b>		<b>NSN#</b> 6210-01-604-8566	



# SMALL LED GLOBE FIXTURE



MIL-16377 for Navy Standard Symbol #92.2, 93.2, 93.4, 93.5



NSN# 6210-01-605-0596



NSN# 6210-01-605-0591



NSN# 6210-01-605-0594



NSN# 6210-01-605-0590

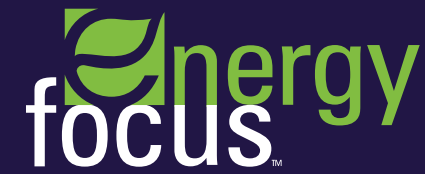


# Small LED Globe Fixture

For Navy Standard Symbol #92.2, 93.2, 93.4, 93.5

# Small LED Globe Fixture

For Navy Standard Symbol #92.2, 93.2, 93.4, 93.5



The Energy Focus brand Small LED Globe Fixture is waterproof, shockproof and consumes 90% less power than incandescent bulbs. It has a lifespan of 50,000 hours until it reaches 70% of its original lumen performance. After installation, there will be no need to revisit this fixture for maintenance for another ten years. Unlike outdated incandescent technology, the Small LED Globe Fixture does not have a filament that breaks often, especially on moving ships. Changing bulbs is not necessary, requiring even less maintenance and providing for more storage space.

## THE SMALL LED GLOBE FIXTURE IS AVAILABLE IN FOUR COLOR OPTIONS:

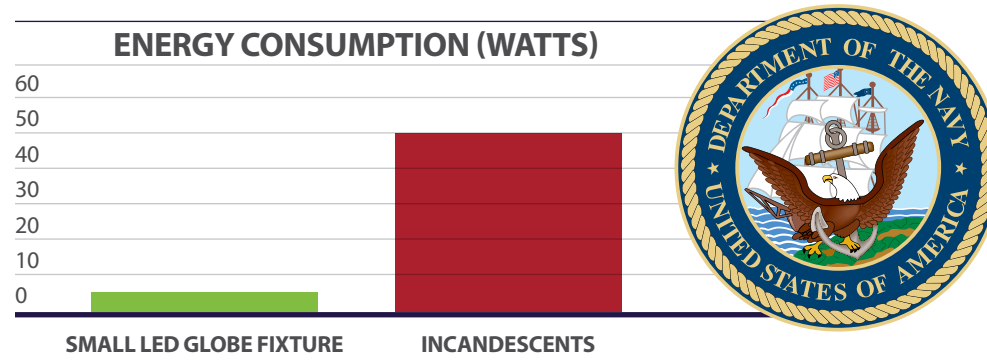
- White (clear transparent diffusing)
- Blue Night Vision (transparent diffusing)
- Yellow/Amber (transparent diffusing)
- Red (transparent diffusing)

Energy Focus solutions provide energy savings, aesthetics, safety and maintenance cost benefits over conventional lighting. Energy Focus' long-standing relationship with the U.S. Government includes numerous research and development projects for the DOE and DARPA, creating energy efficient LED lighting systems for the U.S. Navy fleet. The Small LED Globe Fixture is also "Buy American Act" and "Trade Agreements Act" compliant, as it is proudly made in the USA.

## LED TECHNOLOGY SURPASSES INCANDESCENTS IN MULTIPLE AREAS:

- More reliable
- No buzzing or flickering
- Lower power consumption
- Low maintenance costs
- Significantly longer lifespan
- Rapid return on investment

In the last half century, the Navy has made great strides in the development and implementation of the most modern technology. One aspect that has fallen behind is shipboard lighting. The US Navy still relies on outdated incandescent technology in many areas. Upgrading to modern sophisticated LED technology is pivotal as the US Navy moves forward.



**TOMORROW'S LIGHT IS HERE TODAY.**



**MIL-DTL-16377**

**For Navy Standard Symbol #92.2, 93.2, 93.4, 93.5**

**Options:** White, Red, Blue, Yellow/Amber

**Function:** United States Navy

**Application:** Military Lighting

## Features



The Energy Focus brand EFO-X001 luminaire is a form, fit and function replacement for SYM #'s 92.2, 93.2, 93.4 and 93.5 applied to legacy MIL-DTL-16377/ incandescent fixtures.

- Shockproof & waterproof
- No vulnerable filament
- Standard or bulkhead mounting
- Can use existing cable from removed fixture

## Specifications

<b>INPUT VOLTAGE</b>	120 Volts, 60 Hz
<b>CHASSIS</b>	A03830 aluminum
<b>LENS</b>	Tempered glass
<b>WEIGHT</b>	5 lbs. 7 oz.
<b>FASTENERS</b>	Stainless steel
<b>FINISH</b>	TGIC thermoset polyester powder coat paint
<b>BULKHEAD MOUNTING BRACKET</b>	Corrosion resistant steel
<b>LED/BALLAST FIELD</b>	Replaceable
<b>LED ARRAY FIELD</b>	Replaceable
<b>DRIVER</b>	Constant current electronic driver
<b>OPERATING RANGE</b>	-40c to 50c
<b>MIL QUALIFICATION</b>	Passed
<b>ENCLOSURE TYPE</b>	Watertight, designed to meet shock & vibration requirements

### WHITE GLOBE

Lumen Output	285
Wattage	5 W
Efficacy	55.5 lp/W
CRI	80
CCT	3867 K
CBCP	9.92

### RED GLOBE

Lumen Output	127
Wattage	5 W
Efficacy	25 lp/W
Chromaticity (x)	0.7014
Chromaticity (y)	0.2981
Chromaticity (u')	0.5422
Chromaticity (v')	.5185

### BLUE GLOBE

Lumen Output	28
Wattage	5 W
Efficacy	5.2 lp/W
Chromaticity (x)	0.1392
Chromaticity (y)	0.0446
Chromaticity (u')	0.1694
Chromaticity (v')	0.1232
NRLa #	9.41x10-6

### YELLOW/AMBER GLOBE

Lumen Output	151
Wattage	5 W
Efficacy	29.6 lp/W
Chromaticity (x)	0.5641
Chromaticity (y)	0.4335
Chromaticity (u')	0.319
Chromaticity (v')	0.5515

DESCRIPTION	NSN#	EFO SKU	TO ORDER
White Replacement	6210-01-605-0596	EFO-X001-92.2-02	
Red Replacement	6210-01-605-0591	EFO-X001-93.2-02	
Blue Replacement	6210-01-605-0594	EFO-X001-93.4-02	440.715.1300 navy@efoi.com
Yellow/Amber Replacement	6210-01-605-0590	EFO-X001-93.5-02	